

# Electronic Training Equipment & Breadboard / Accessories



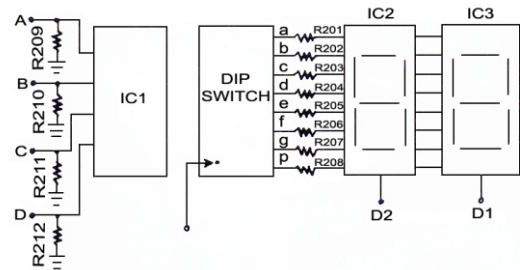
## Digital Lab IDL-800A



### Specification

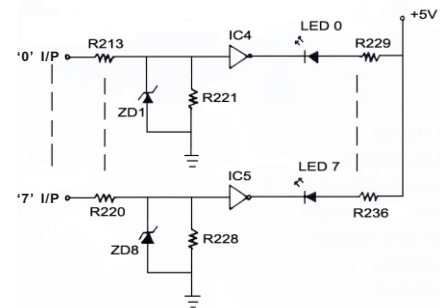
- Solderless breadboard : AD-200**  
Interconnected nickel plated contact socket with a total of 1896 tie points fits all components with DP size and solid wire in diameter of AWG #22-30 (0.3~0.8 mm)
- DC power supply**  
Variable DC power :  
Positive output voltage :  $0 \sim +15V \pm 10\%$   
Negative output voltage :  $0 \sim -15V \pm 10\%$   
Maximum output current : 300 mA.  
Line regulation :  $< 0.05\% / V$  ( $T_a = 25^\circ C$ )  
Load regulation :  $< 30mV$  ( $T_a = 25^\circ C$ )  
Fixed power supply :  
Positive output voltage :  $+5V \pm 10\%$   
Maximum output current : 1 Amp.  
Line regulation :  $< 50mV$ .  
Load regulation :  $< 100mV$ .  
Negative output voltage :  $-5V \pm 10\%$   
Maximum output current : 100mA  
Line regulation :  $< 25mV$ .  
Load regulation :  $< 30mV$ .  
All DC power supplies with short circuit protection.
- Function generator:**  
Frequency ranges : 0.1 Hz ~ 2 Hz  
(6 ranges)  
1 Hz ~ 20 Hz  
10 Hz ~ 200 Hz  
100 Hz ~ 2K Hz  
1KHz ~ 20K Hz  
10KHz ~ 200K Hz  
Sine wave output :  $0 \sim 5 V_{pp} \pm 10\%$  variable  
Triangle wave output :  $0 \sim 5 V_{pp} \pm 10\%$  variable  
Square wave output :  $0 \sim 15 V_{pp} \pm 10\%$  variable  
TTL mode output :  $+5V \pm 10\%$
- Digital voltmeter :**  
3½ digits LED display.  
4 ranges: 0 ~ 199.9V full scale  
0 ~ 19.99V full scale  
0 ~ 1.999V full scale  
0 ~ 199.9mV full scale  
Input impedance :  $10M\Omega$  for any range.
- Universal counter**  
(1) Frequency range : 1Hz ~ 99.999999 MHz;  
10Hz ~ 100.00000 MHz  
(2) Period range TH&TL :  $0.01\mu s \sim 999999.99\mu s$ ;  
 $1\mu s \sim 9999999\mu s$   
(3) Input signal: TTL or CMOS level or any level ( $V_{min} \geq +2.3V_p \pm 10\%$ )  
(4) Display : 8-digital 7-segment LED display  
(5) Counter switch : External/internal

- Two digits of 7 segment LED display :  
Common cathode operation

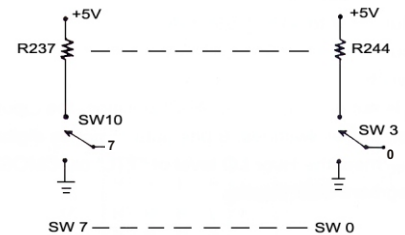


- Four point tip / banana socket / BNC socket exchange adapters

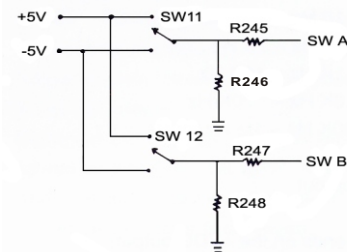
- Eight buffered LED displays :



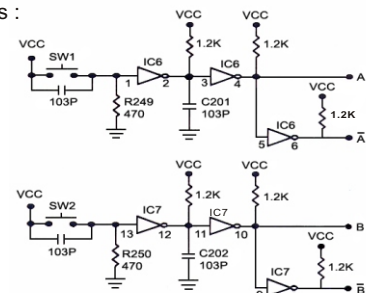
- Eight data switches :



- Two function switches :



- Two pulse switches :



- Dimensions : 480 x 360 x 200 mm (L x W x H)

- Weight : 4.2kg